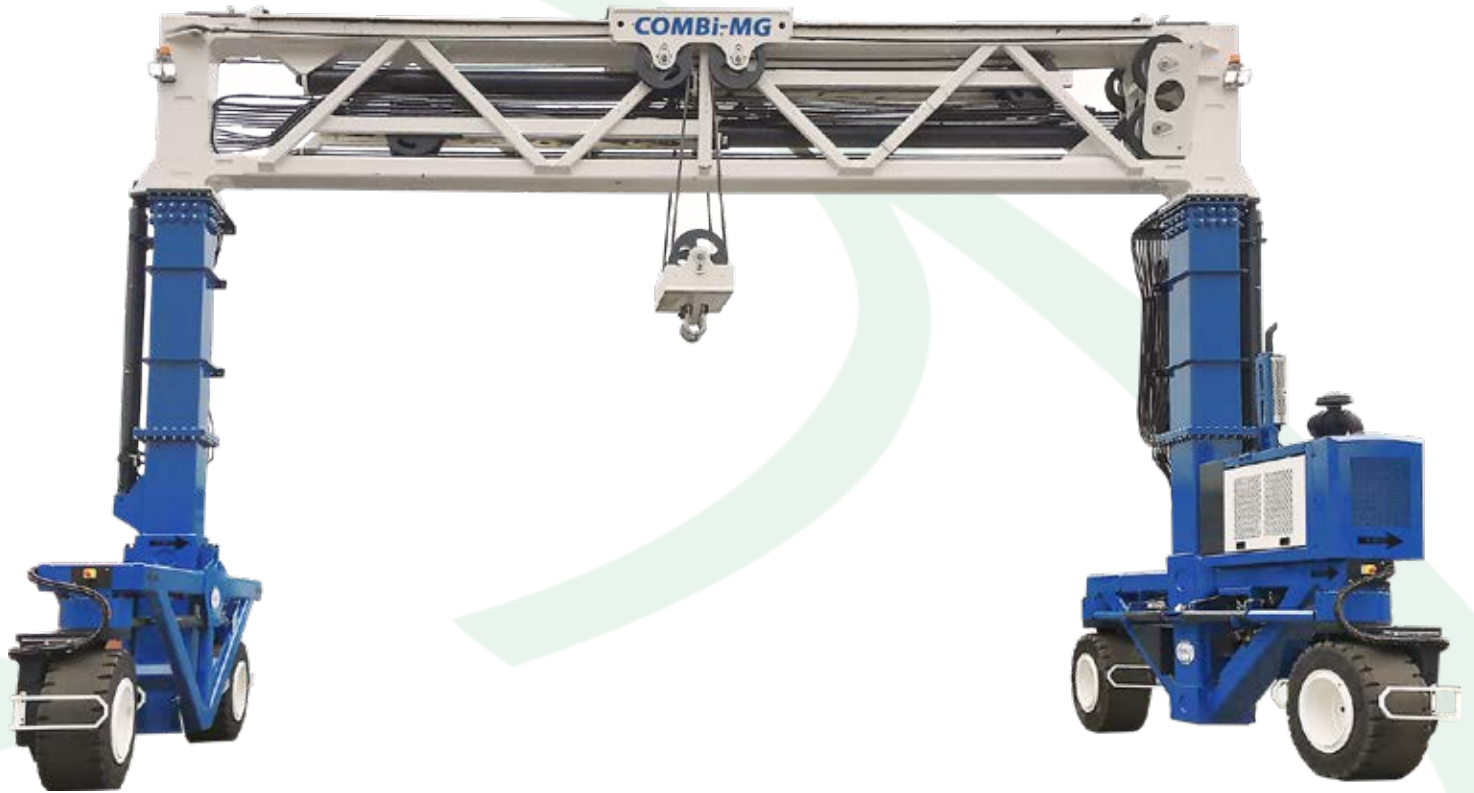
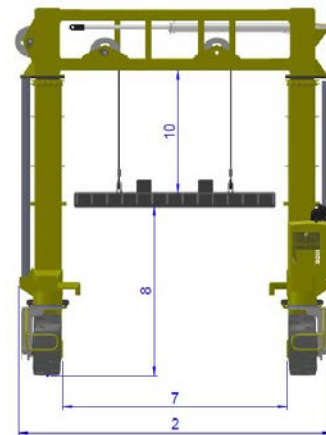
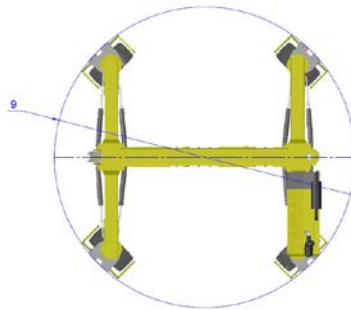
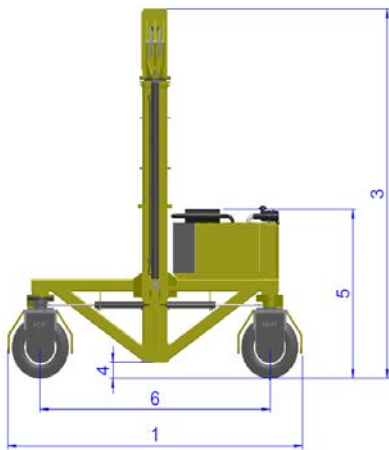


COMBi-MG



STANDARD BUILD *CUSTOMISATION AVAILABLE		Metric		Imperial	
		MG	MG-T	MG	MG-T
REF.	DESCRIPTION	Trailer to Ground	Telescopic Higher Lift Stroke	Trailer to Ground	Telescopic Higher Lift Stroke
1	Overall Length	5000mm		29' 6"	197"
2	Overall Width	4400mm		16' 9"	172"
3	Overall Height	5500mm	5500mm - 7300mm	17' 6"	217" 217" - 287"
4	Ground Clearance under Side Section	275mm		9½"	11"
5	Height Over Engine	2700mm		80½"	106"
6	Wheelbase	4150mm		151½"	163"
7	Width of Load Area	3000mm		227½"	118"
8	Height of Load Area	4000mm	4000mm - 5800mm	127"	157" 157" - 228"
9	Minimum Outside Radius	6700mm		181"	264"
10	Lift Stroke	1800mm		47½"	71"
A	Capacity	20,000 kg - 80,000 kg		44,000 lbs - 176,000 lbs	
B	Unladen Weight	13,000 kg		29,000 lbs	
C	Gradeability	5% Fully Loaded			
D	Maximum Ground Speed	6 km/h		4 mph	
E	V3800 Kubota Diesel Engine	72 kW		96 HP	
F	Electrics	12 Volt			
G	Tyres	4 x Super Elastic Puncture Proof Tyres			
H	Standard Colour	Yellow & Gray			



Features:

- The RTG allows for increased storage with reduced aisle widths of just 1.5m (5')
- Available in V3800 Kubota Diesel engine and LP Gas option
- Multi-directional, 6 steering options
- Overall dimensions can be customised to suit the customers application
- Side shift 5080mm/200". Full side shift from left to right increases storage and flexibility

Benefits:

- Independent telescopic for maximum lift whilst also capable of passing under low heights
- Independent lift allows lift ing and lowering of coil/ load
- Rotating C-Hook for handling coils in both directions and rotating, manual or automatic option
- Rated lift capacity from 20t to 80t

Co. Monaghan
Ireland
+353 47 80500
info@combilift.com

Combilift has a policy of continuous product development and reserves the right to alter specifications without prior notice. Specifications and/or dimensions may vary from those illustrated in some countries.