

R 07/R 08 Technical Data Electric Tractor and Platform Truck

R 07-25

R 07-25 L

R 08-20



R 07/R 08 Electric Tractor and Platform Truck

Efficient transport from A to B

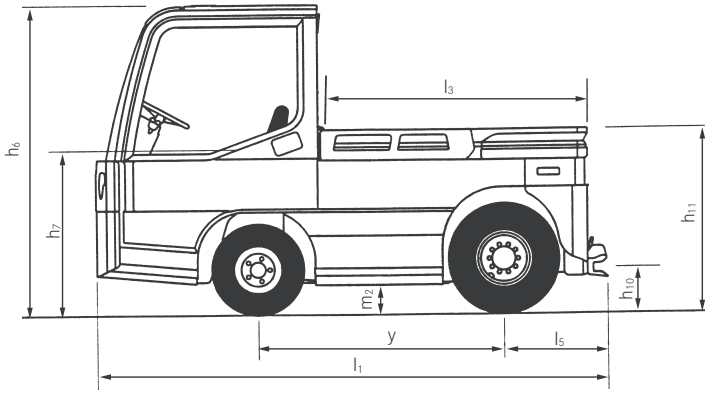
This specification sheet, which conforms to VDI guideline 2198, provides the technical values for the standard equipment only. Different tyres and other additional equipment etc. may produce different figures.



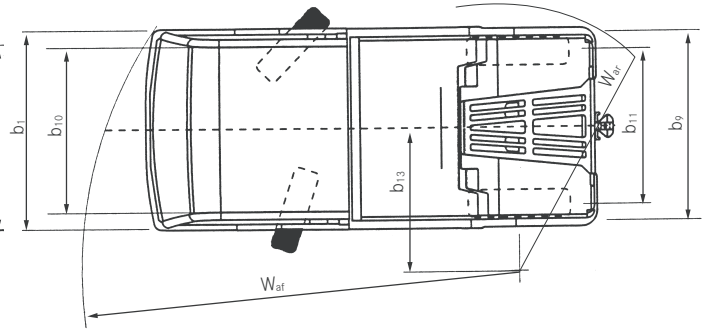
				STILL		STILL		STILL	
				R 07-25		R 07-25 L		R 08-20	
Distinguishing marks	1.1	Manufacturer							
	1.2	Manufacturer's type designation							
	1.3	Drive			Electro	Electro	Electro	Electro	Electro
	1.4	Operator type			Seated	Seated	Seated	Seated	Seated
	1.5	Nominal load capacity/load	Q	kg	300	300	300	300	2000
Weights	1.5.1	Pull load	Q	kg	25000	25000	25000	25000	up to 6000 (see performance diagram)
	1.7	Nominal traction	F	N	5000	5000	5000	5000	900 ¹
	1.9	Wheel base	y	mm	1465	1900	1900	1900	1900
Tyres/chassis	2.1	Service weight (incl. battery)	with cabin	kg	3800	4800	3100	3200	3100
	2.2	Axle load, laden	front/rear	kg	2000/2100	2600/2500	2300/2800	2100/3100	2300/2800
	2.3	Axle load, unladen	front/rear	kg	1900/1900	2500/2300	1800/1300	1800/1400	1800/1400
Basic dimensions	3.1	Tyres			Pneumatic/ superelastic	Pneumatic/ superelastic	Pneumatic/ superelastic	Pneumatic/ superelastic	Pneumatic/ superelastic
	3.2	Tyre size	front		6.00 R 9	6.00 R 9	6.00 R 9	6.00 R 9	6.00 R 9
	3.3	Tyre size	rear		7.00 R 12	7.00 R 12	7.00 R 12	7.00 R 12	7.00 R 12
	3.5	Number of wheels (x = driven)	front/rear		2/2x	2/2x	2/2x	2/2x	2/2x
	3.6	Tread	front	b ₁₀	mm	1102/1112	1102/1112	1102/1112	1102/1112
	3.7	Tread	rear	b ₁₁	mm	1018	1018	1018	1018
	4.7	Height to top of overhead guard (cabin)		h ₆	mm	1820	1820	1820	1820
4.8	Sitting height		h ₇	mm	745	745	745	745	
4.12	Clutch height		h ₁₀	mm	240, 295, 350, 405	240, 295, 350, 405	240, 295, 350, 405	240, 295, 350, 405	
4.13	Load height	unladen	h ₁₁	mm	1000	1000	870	870	
4.16	Length of loading platform		l ₃	mm	1520	1955	2200	2600	
4.17	Length of overhang		l ₅	mm	615	615	730	1130	
4.18	Width of loading platform		b ₉	mm	1170	1170	1300	1300	
4.19	Overall length		l ₁	mm	3045	3480	3590	3990	
4.21	Overall width		b ₁	mm	1300	1300	1300	1300	
4.32	Ground clearance, centre of wheel base	front	m ₂	mm	150	150	150	150	
4.34	Working aisle width		A _{st}	mm	4725	5325	5366	5366	
4.35	Turning radius	front/rear	W _a	mm	2825/1639	3275/1789	3275/1891	3275/1891	
4.36	Smallest pivoting distance		b ₁₃	mm	935	1095	1095	1095	
Performance data	5.1	Travel speed	laden/unladen	km/h	11/25	11/25	15/20	15/20	
	5.5	Traction	laden/unladen	N	-/5000	-/5000	-/900	-/900	
	5.6	Max. traction	laden/unladen	N	-/16000	-/16000	-/3500	-/3500	
	5.7	Gradeability	laden/unladen	%	see performance chart				
5.8	Max. gradeability	laden/unladen	%	see performance chart					
Electric motor	5.10	Service brake			Electric/hydraulic	Electric/hydraulic	Electric/hydraulic	Electric/hydraulic	
	6.1	Drive motor, rating KB 60 min		kW	20	20	5 ¹	5 ¹	
	6.3	Battery according to DIN 43531/35/36 A, B, C, no			43536 A	43536 A	43536 A	43536 A	
	6.4	Battery voltage	U	V	80	80	80	80	
	6.4.1	Battery capacity	K ₅	Ah	460 560	700 840	240	320	
Other	6.5	Battery weight		kg	1210 1558	1863 2178	679	858	
	8.1	Drive control			AC control	AC control	AC control	AC control	
	8.4	Sound level at driver's ear		dB(A)	69	69	69	69	
	8.5	Trailer coupling, item/DIN type			Rockinger 244	Rockinger 244	Rockinger 244	Rockinger 244	

¹ 20 kW drive and 1200 N traction variant optionally available

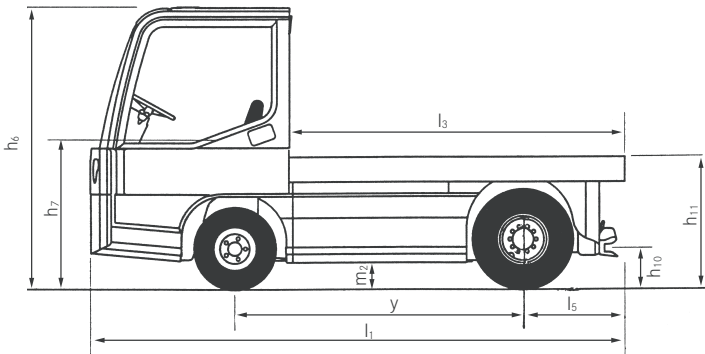
R 07/R 08 Electric Tractor and Platform Truck
 Technical Drawings



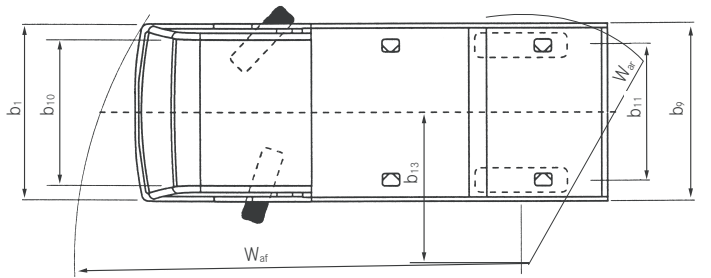
R 07 Side view



R 07 Top view



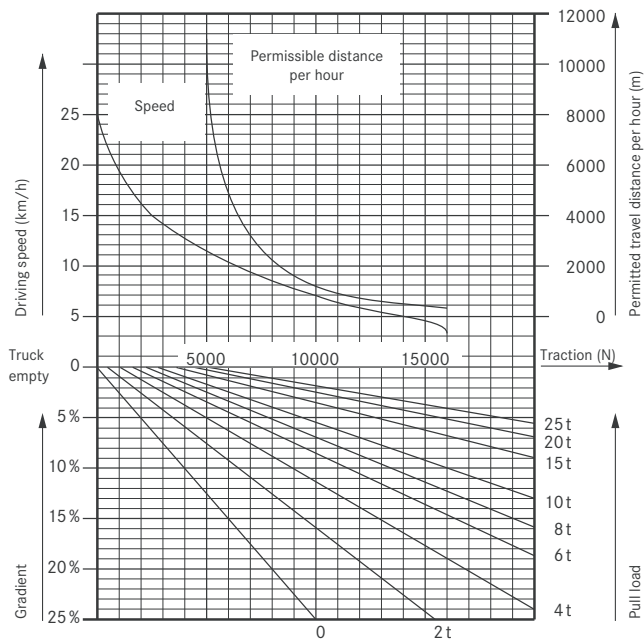
R 08 Side view



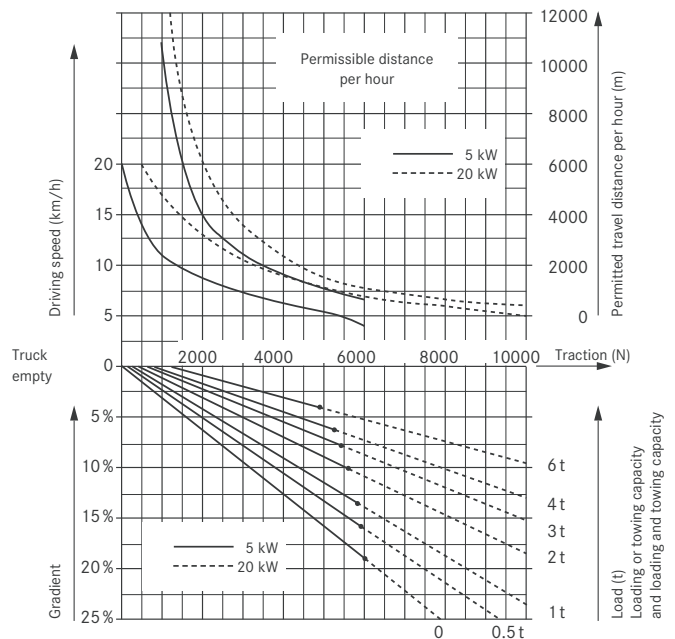
R 08 Top view

Performance Diagram

R 07-25



R 08-20



The speed and traction of the tractor can be programmed within the two curves in order to achieve the desired application. The permitted travel distance per hour is the total distance including return journeys and downhill sections (descents). The use of braked trailers is recommended if trailer weight exceeds 9 tonnes or downhill sections are to be traversed.

The 20 kW drive motor must be chosen for performance values that lie within the interrupted portion of the performance curves. The permitted travel distance per hour is the total distance including return journeys and downhill sections. The use of braked trailers is recommended if downhill sections are to be traversed.

R 07/R 08 Electric Tractor and Platform Truck
Detailed Photos



Electric parking brake and functional dashboard with compartments for documents and working materials



Comfortable cab for a pleasant ride



Reversing device for driving safely and precisely up to the trailer



R 07 electric tractor: trailer coupling for use as a towing vehicle



Optional aluminium side boards suitable for all kinds of transport



Front light for safe driving in all lighting conditions



Optional compact sliding door for easy entry and exit even in confined spaces



Optional built-in crane for lifting heavy loads

R 07/R 08 Electric Tractor and Platform Truck
Efficient transport from A to B



R 08 electric platform truck with optional aerial work platform and assembly platform

R 07/R 08 Electric Tractor and Platform Truck

Efficient transport from A to B

Real powerhouses: the R 07 pulls and transports loads of up to 25 tonnes, while the R 08 transports up to 2 tonnes on its truck bed

High speed for high transport capacity

Highly manoeuvrable – ideal for use in restricted spaces



The four-wheel R 07 and R 08 electric tractor and platform trucks are versatile, economical transport aids for tow trailers up to a total weight of 25 tonnes (R 07) and for transporting loads of up to two tonnes (R 08). The robust tractors are particularly impressive when at use in production supply in the steel and automotive industry, luggage transit at airports and train stations, and indoor and outdoor material handling as a tigger train. Due to their great adaptability the trucks can also be used in many other industries. By coupling several trailers the transport volume can be adjusted to suit any application, while the maintenance-free 80-volt three-phase motor ensures powerful acceleration and

excellent gradeability at a top speed of up to 25 km/h. The compact tractor quickly, safely and efficiently covers medium and long distances, with its spacious, car-like all-weather cab offering the driver the ultimate in comfort. The ergonomically arranged control elements guarantee comfortable, back-friendly driving, while large windows offer excellent all-round visibility, all of which comes together to allow for safe, precise operation with high productivity. Three independent braking systems including an electric parking brake ensure that the trucks can transport even the heaviest loads easily and safely.

Extensive Equipment

Power

- High reloading performance: the R 07 pulls and transports loads of up to 25 tonnes, while the R 08 transports up to 2 tonnes on its truck bed
- Fast transport of goods thanks to a top speed of up to 25 km/h and high gradeability

Precision

- Couple trailer quickly and safely with clear view of the trailer coupling
- Precision at the touch of a button: reversing device enables you to drive the tractor safely and precisely up to the trailer
- Sensitive acceleration and steering guarantee that goods are transported safely and smoothly

Ergonomics

- Comfortable seats: high level of comfort due to modern cushioned driver's seat with suspension designed by STILL
- Easy access thanks to low step
- Simple, swift and stress-free: lateral battery change provides renewed energy in just a few moments
- Always hands free: ample storage space within the truck for equipment such as documents, water bottles and mobile devices

Compactness

- Slimline design: extremely compact and manoeuvrable
- Optimal space utilisation thanks to maximum manoeuvrability

Safety

- High levels of safety: electrically operated parking brake
- Be seen: optional daytime driving lights and indicators make the truck clearly visible to other drivers
- Safe on bends: good lateral stability when turning
- All-round perfect vision: large windows in the overhead guard

Environmental Responsibility

- Reduced wear and long servicing intervals (1000 operating hours)
- Over 95 per cent of all materials used are recyclable

R 07/R 08 Electric Tractor and Platform Truck Equipment Variants



	R 07-25	R 07-25 L	R 08-20		
Driver's seat	Excluding cab	●	●	●	
	Weather-protected cab (covered roof, open at sides)	○	○	○	
	Weather-protected cab with tarpaulin covering on the sides and large windows for visibility	○	○	○	
	Cabin enclosed on all sides with doors	○	○	○	
	Cabin enclosed on all sides with sliding doors	○	○	○	
	Tinted safety glass front and rear, with choice of cab	●	●	●	
	Heated rear screen	○	○	○	
	Screen wipers and washing system front/rear	○	○	○	
	Unbreakable exterior and interior mirrors	○	○	○	
	Sunshade	○	○	○	
	Interior lighting	○	○	○	
	Bottle holder and paper tray	○	○	○	
	Leatherette upholstery and lumbar support	●	●	●	
Steering/drives	Fabric cover, active carbon layer, air suspension, leatherette air suspension, heated seats, height-adjustable backrest extension	○	○	○	
	Smooth power steering	●	●	●	
	Adjustable steering column	●	●	●	
	2-motor drive 5 kW	—	—	●	
	2-motor drive 20 kW	●	●	○	
	Directional switch on the right-hand side below the steering wheel	●	●	●	
	Left-hand drive	●	●	●	
	Brake	Three independent braking systems	●	●	●
		Front axle pneumatic Continental	●	●	●
	Tyres	Front axle super-elastic Continental, super-elastic natural colour Continental	○	○	○
		Rear axle pneumatic Continental	●	●	●
	Safety and output	Rear axle super-elastic Continental, super-elastic natural colour Continental	○	○	○
		Sealed 80 V AC drive to minimize maintenance costs	●	●	●
Lighting system in accordance with German Road Traffic Licensing Regulation		●	●	●	
Reversing device		●	●	○	
PIN code access authorisation		○	○	○	
Electric heating		○	○	○	
Emergency vehicle lighting on roof, flashing light on ceiling		○	○	○	
Warning tone when reversing		○	○	○	
Shock detection		○	○	○	
Front lighting: 2 headlights, indicator lights and position lights		●	●	●	
Rear lighting: tail, indicator and brake lights, reversing lights, hazard light system		●	●	●	
Battery		Compartment 204 (400-500 Ah)	●	—	○
		Compartment 234 (480-640 Ah)	○	—	—
	Compartment 235 (600-800 Ah)	—	●	—	
	Compartment 236 (720-960 Ah)	—	○	—	
	Compartment 243 (210-240 Ah)	—	—	●	
	Compartment 244 (320 Ah)	—	—	○	
Additional features	Shock-resistant chassis	●	●	●	
	Electric remote control trailer hitch	○	○	○	
	Rear trailer coupling Rockinger 244A	●	●	●	
	Trailer coupling at front	○	○	○	
	12 V/7-pin trailer socket	●	●	●	
	FleetManager: access authorisation, shock detection, reports	○	○	○	
	Platform equipment, e.g. roof arch construction or aluminium side boards	—	—	○	
	Bluetooth data transmission	●	●	●	
	GPRS data transmission	○	○	○	
	Hour counter above driver's seat and control lock	○	○	○	

● Standard ○ Optional — Not available

STILL



STILL Materials Handling Ltd
Aston Way
Leyland Preston
PR26 7UX
Tel.: +44 (0)845 603 6827

STILL Materials Handling Ltd
Jacks Way
Hill Barton
Business Park
Clyst St. Mary
Exeter
EX5 1FG
Tel.: +44 (0)345 603 6827
info@still.co.uk
For further information please visit:
www.still.co.uk



STILL is certified in the following areas: Quality management, occupational safety, environmental protection and energy management.



first in intralogistics