

Fully powered Logiflex Mini – light, flexible and safe!

Logiflex Mini is a light and manoeuvrable fully powered stacker – your best choice for the light handling in minor storage and shopping areas.

The design puts focus on the safety and ergonomic working conditions of the user. Logiflex Mini can be adjusted to the individual user, and the ergonomic correct handle ensures the user a relaxed hold. The low overall height gives optimum view conditions.

No damage to surroundings, pallets and goods – Logiflex has an elegant design with rounded corners.

High quality is ensured through an extended test programme and in cooperation with experts in Health and Safety.



Technical Specifications

Logiflex Mini gives the user

- easy setting of e.g. driving speed and acceleration
- compact construction
 - perfect in confined areas
- easy service
 - easy access to batteries
- low overall height – optimum view
- long operation time per charge
- possibility to operate with the handle upright



Adjustable carriage is standard.



Hour counter, battery indicator and error finding in the same instrument. Motor brake.



Available with optional extras, e.g. crane arm, drum turner, boom, remote control and level control.

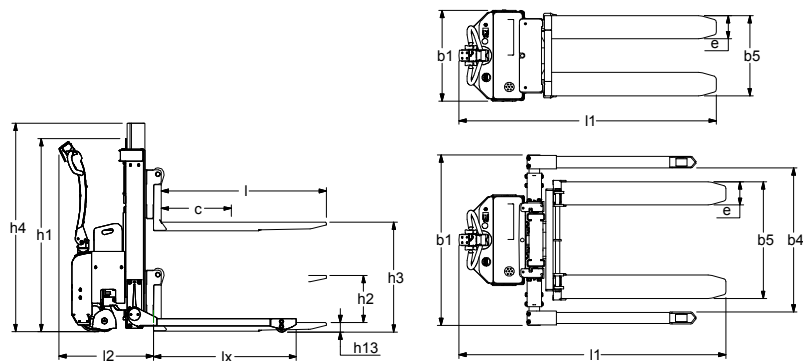
Product (measured in mm)	SELF MINI	SELF MINI	SELFS MINI	SELFS MINI
Capacity in kg	1000	1000	1000	1000
Lifting height with wrap-over forks	h_3 920	1650	890	1620
Fork length	l 1067, 1150		600/800/1067/1150/1520*	
Overall height	h_1 1320	1350	1320	1350
Overall width	b_1 635, 710		166+ b_4	
Fork span	b_5 Wrap-over: 350-560		Wrap-over: 350-800, chisel: 270-680, bar: 230-680	
Length without forks	l_2 620	630	620	630
Overall length with 1150 forks	l_1 1825	1835	1825	1835
Overall height	h_4 1320	2025	1320	1995
Lowered height, forks	h_{13} 90 (fork span 560) 150 (fork span 350-555)		Wrap-over: 65, chisel: 45, bar: 65	
Load centre	c	$l/2$		
Width between legs	b_4	850-942, 942-1124, 1124-1306, 1240-1422**		
Fork width	e	163		
Run-in length	l_x	1100 with 1150 mm forks		1080 with 1150 mm forks
Gangway (w/pallet: 1200 x 800)	A_{st}	2200 - tests show that 1700 mm are enough - depends on b_4		
Free lift	h_2	330		330
Turning angle of the wheels		210°		
Motor		0,7 kW 24 V speed control electronically variable		
Driving speed with/without load		Below 500 mm lift: 5,2/5,5 km/h, over 500 mm lift: 3/4 km/h		
Pump motor		1,2 kW 24 V		
Lifting speed with/without load		0,07/0,12 m/s		
Lowering speed with/without load		0,12/0,07 m/s		
Weight in kg (without battery)	308	363	348	403

* Reduced capacity 750 kg.

** Width between straddle legs of more than 1306 mm: Max. capacity 800 kg. Fork length of 1520 mm is not recommended.



For intensive use, we recommend SELF Maxi or SELFS Maxi.



We also offer tailor-made solutions.

Please ask for further information or visit our website www.logitrans.com